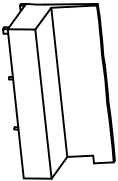
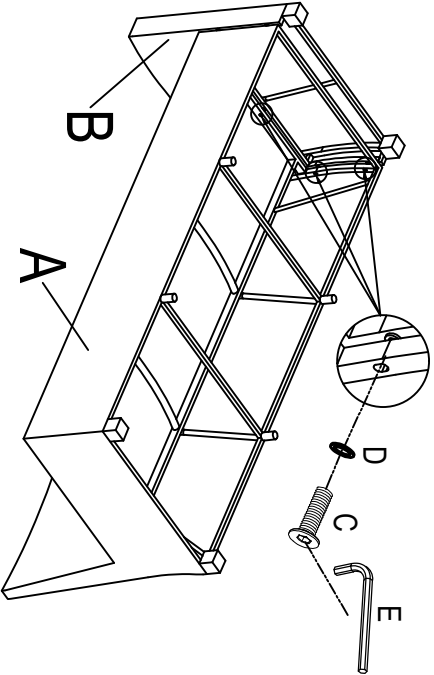
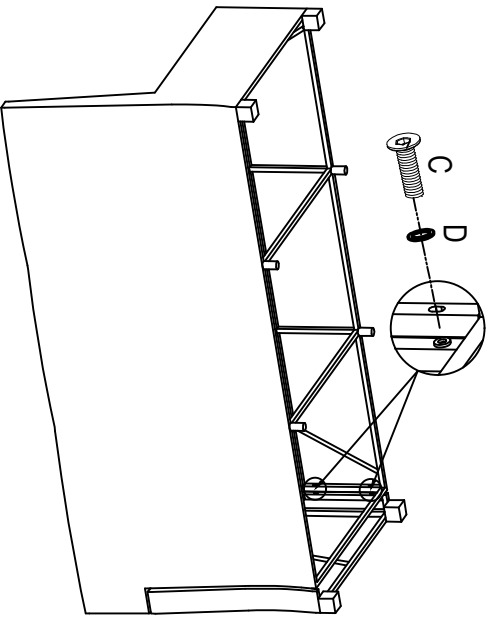
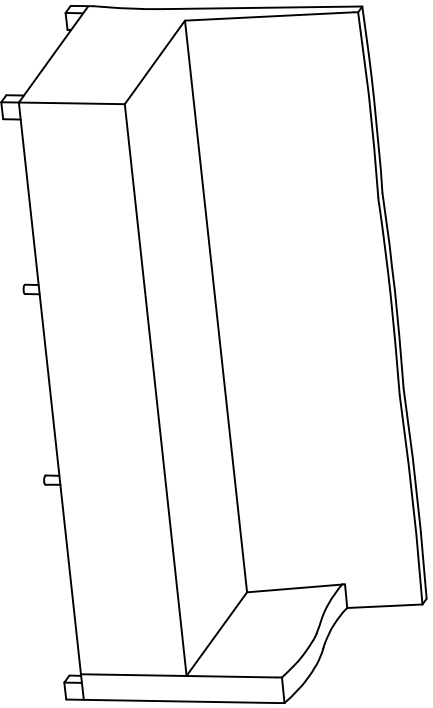
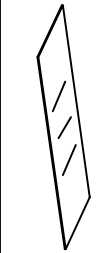


# Assembly Instruction

A	1	1
		
B		
C	5	5
D	5	5
E	1	1
		

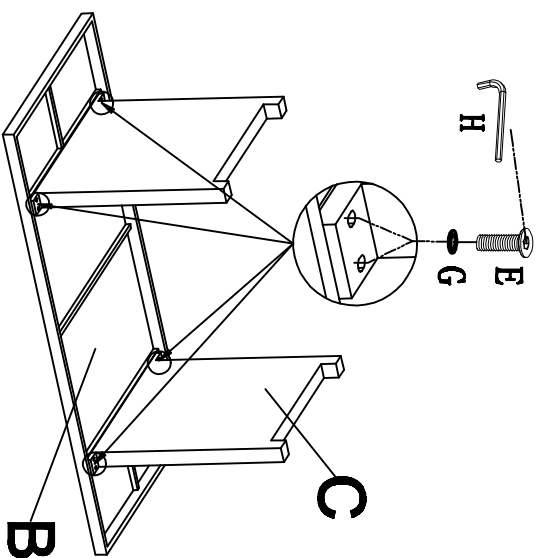
# Assembly Instruction

A	1	①
B	1	②
C	2	④
D	1	
E	8	
F	4	
G	12	
H	1	
		③

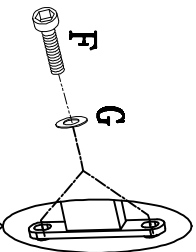
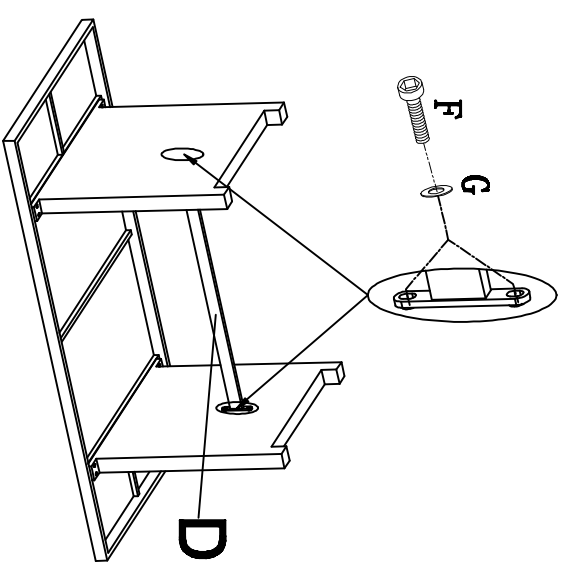


1

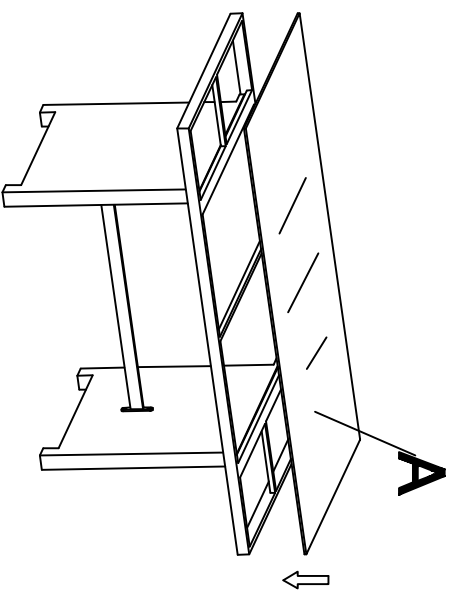
①



②

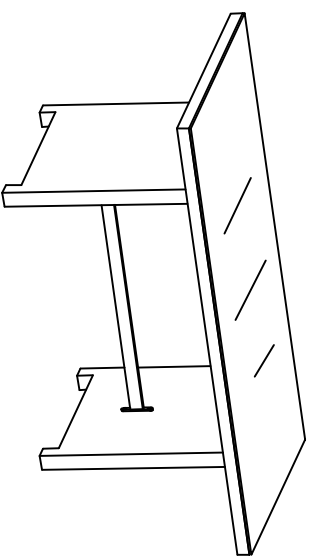


③



A

④



M6\*25



M6\*30

